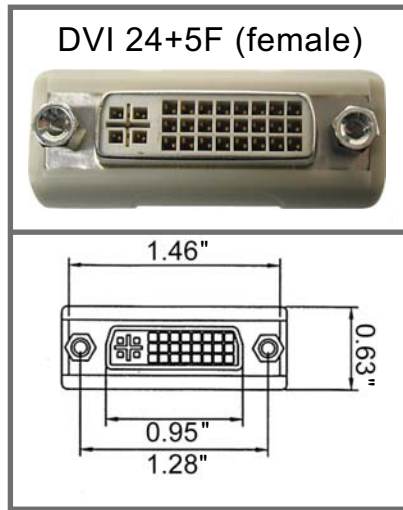
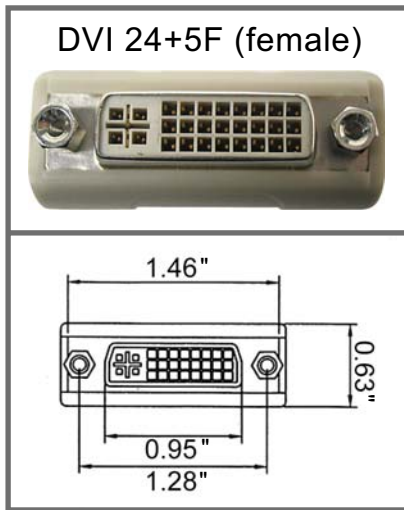
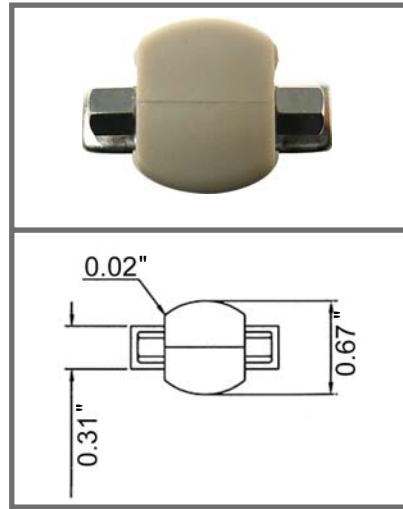
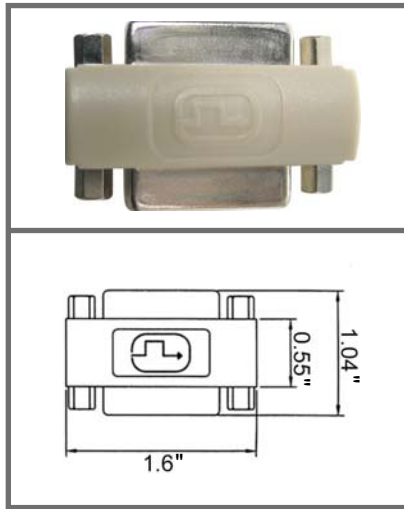


LOW PROFILE DVI FEMALE TO DVI FEMALE ADAPTER



PART NO.

E09-DF-DF

DESCRIPTION

DVI FEMALE TO DVI FEMALE ADAPTER

NOTE1. CONTACT FINISH

CONTACT AREA: GOLD OVER NICKEL PLATED (GOLD: 0.1 μm MIN)

TERMINAL AREA: TIN-LEAD PLATED

1. ELECTRICAL

RATED: 1.5A 40V (AC)

CONTACT RESISTANCE: 50mΩ MAXIMUM.

INSULATION RESISTANCE: 1000mΩ MINIMUM.

DIELECTRIC WITHSTANDING VOLTAGE: 500V.

2. MATERIAL

HOUSING: HIGH TEMPERATURE THERMPLASTIC UL94V-O. (IVORY, BLACK)

CONTACT: PHOSPOR BRONZE, GOLD OVER NICKEL PLATED

FINISH: TIN-LEAD PLATED

FORE SHELL: STEEL NICKEL PLATED

INSULATOR COLOR: WHITE, BLACK

12/29/03