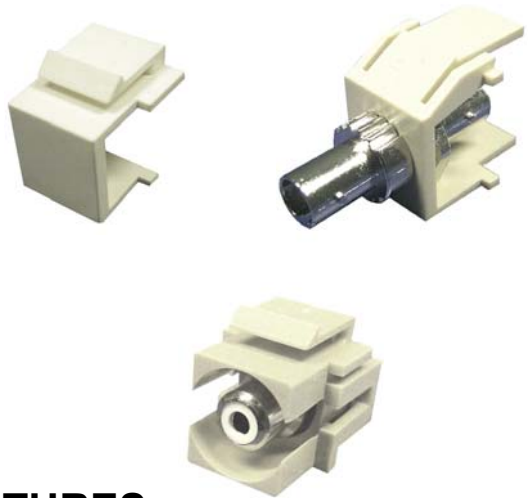
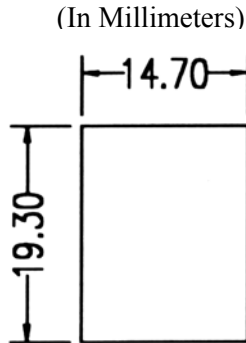
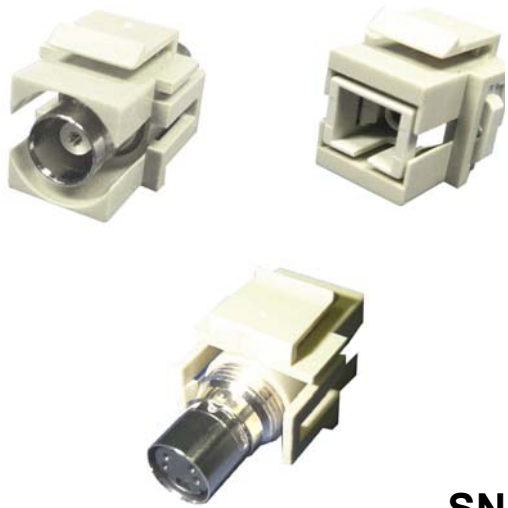


# TNT Product Bulletin TNT

## SNAP-IN MODULES FOR INFORMATION OUTLETS



Suggested  
Panel Cutout

### SNAP-IN MODULE FEATURES:

- S-Video application – 4 pin Mini Din female to female bulkhead module
- Home theater speaker application – RCA female to female bulkhead module
- Fiber Optic application – ST or SC female to female bulkhead module
- Able to snap into conventional keystone jack face plates, panels and outlet boxes
- Available colors in ivory and white
- Compatible with Tri-Net's 07M and 071 Faceplate Series



<u>Part Number</u>	<u>Description</u>
071-IS-WH/IV/GY	Blank insert module
071-IBN-XX	BNC F/F module
071-IFF-XX	F F/F module
071-RCA-XX	RCA F/F module
071-MDIN4-XX	S-Video 4-pin mini din F/F module
071-IST-XX	Fiber ST F/F module
071-ISC-XX	Fiber SC F/F module
071-MTRJ-XX	Fiber MTRJ F/F module
071-DLC-XX	Fiber duplex LC F/F module

**XX = Color: Ivory, White**

**Lead-Time: Current Stock Item**



**Tri-Net Technology, Inc.**

Total Network Telesis

U.S.A.

21709 FERRERO PARKWAY  
WALNUT, CALIFORNIA 91789  
TEL 909-598-8818 FAX 909-594-8666  
www.trinetusa.com info@trinetusa.com